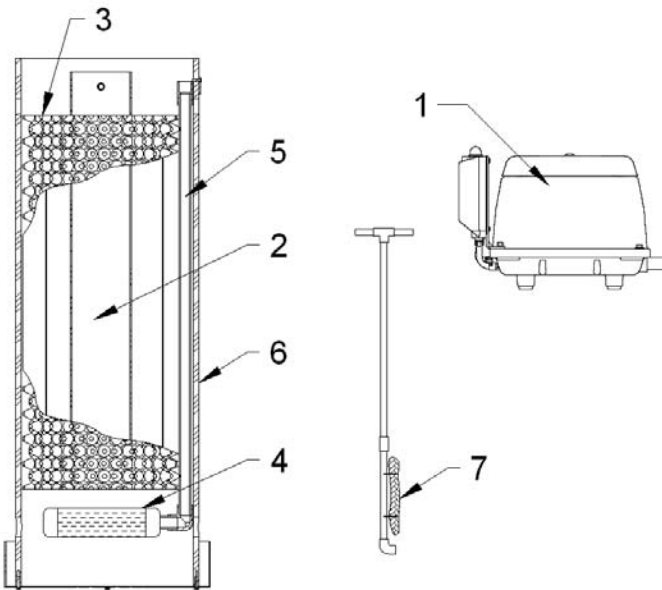


Technical Data Sheet

Aquaworx Remediator – P40

The Aquaworx Remediator P40 is the original Aerobic Bacteria Generator designed to restore malfunctioning septic systems caused by biological clogging. The P40 is our residential unit and the brother of our larger P80 commercial unit.



(Not to Scale)

KEY:

1. Linear Air Pump w/ alarm
2. Bacteria Catalyst Chamber
3. Cuspsate Plastic Media
4. Fine Bubble Diffuser
5. ½" PVC Air Line
6. 12" PVC Housing
7. Bacteria Catalyst

NOTES:

1. Aquaworx recommends that the unit be installed at the outlet end of a two compartment tank with a service riser to grade.
2. In a single compartment tank, the unit may be installed at the inlet end when used in conjunction with an outlet baffle filter.

Standard Specifications:

- **Dimensions:** 36" (ht) x 14" (dia.), 60 lbs.(wt) w/pump
- **HP 40 Pump:** 120v/60hz/0.8 amps/96 watts
- **Air Delivery Rate:** 1.5 CFM @ 4.6 feet
40 liters/min or 11 gal/min
- **Liquid Mixing Rate:** 16,000 GPD
- **Digestion Rate:** 1.5-2.5 lbs/BOD/day
- **Minimum Tank Depth:** 3.5 feet
- **Maximum Tank Depth:** 6.9 feet
- **Maximum Tank Size:** 1500 gal/single unit
- **Daily Treatment Volume:** max.600 gpd/single unit*

* multiple units maybe combined for higher flows

Features & Benefits:

- **Natural Restoration Process** combining oxygen & bacteria.
- **Non-Invasive & Cost Effective Solution** – placed in existing septic tank with no major excavation or parking lot damage.
- **Proven ABG Technology** – approximately 4000 Aerobic Bacterial Generators installed since 2001.
- **Design & Technical Support** – over 40 field and inside technical representatives here to support each installation.
- **Industry Leadership** – for more than 20 years, Infiltrator Systems has stood behind its products.

Complimentary design service @ 877.278.2979